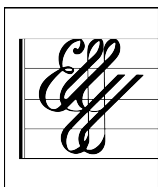
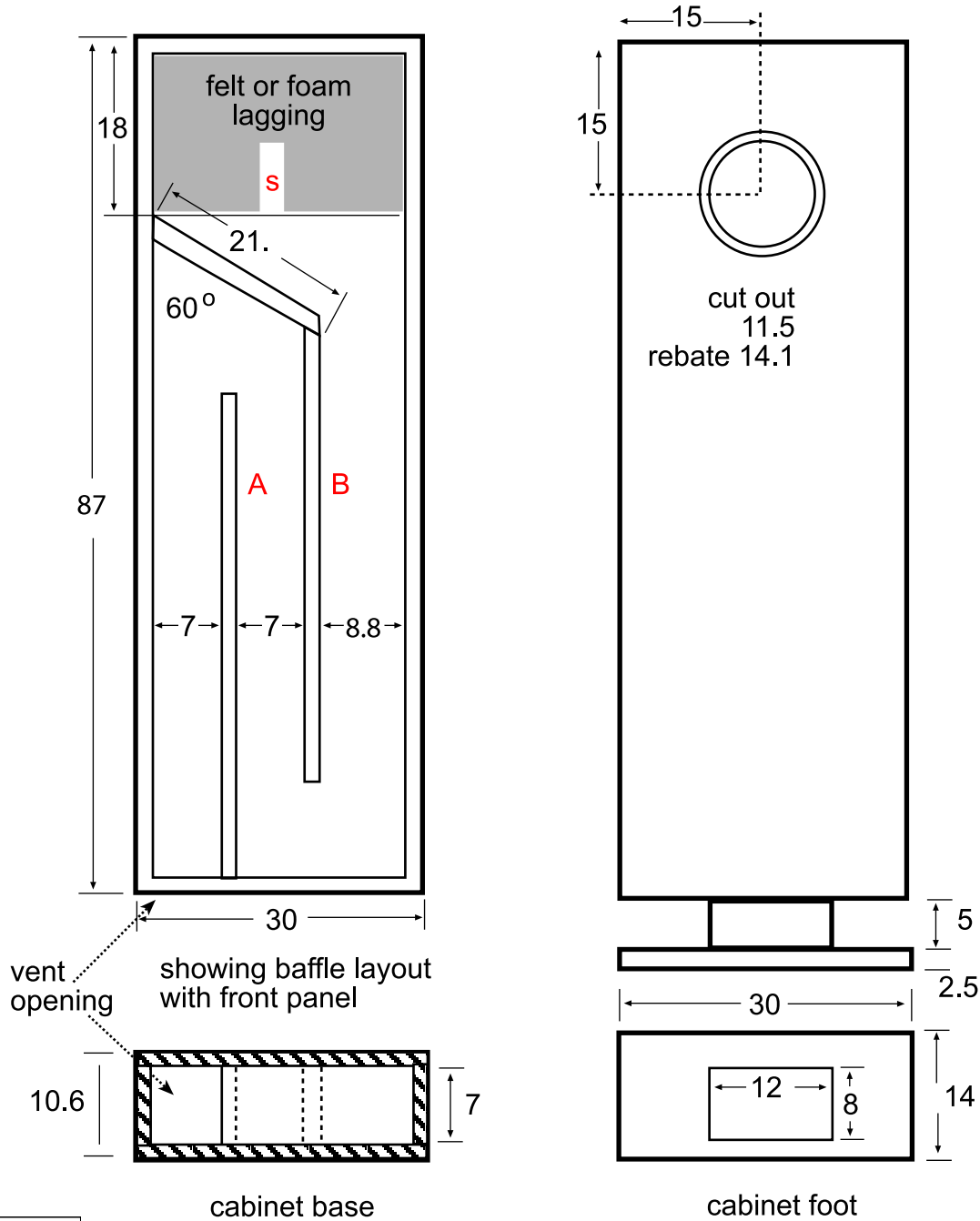


JORDAN JX92S VTL transmission line design

This slim enclosure is only 100mm (4 inches) deep and offers visual elegance plus the opportunity to secure optimum low frequency performance from transmission line loading. The wide baffle supports upper bass frequencies giving a full, balanced sound. The transmission line vents through the base of the cabinet, as shown. All dimensions in centimeters.

- Driver** 1 x JORDAN JX92S.
- Materials** 18mm MDF or Baltic birch plywood.
- Filling** 10mm felt or foam as shown compressed under magnet on rear surface only, with 20mm slot **S** cut to allow air access to vent at the rear of the magnet.
- Fixing** 4 x 5mm screws into shown rebate. Captive T-Nuts rather than woodscrews are recommended.
- Partition A** 50cm long (top to bottom).
- Partition B** 45cm long (top to bottom).



Design ©Ted Jordan
 E. J. Jordan Designs, The Dak, Manorbier, Tenby, South Pembrokeshire, SA70 8QR, U.K.
 Telephone +44 (0)1834 871 209. www.ejjordan.co.uk